



Company: REDROCK MICRO

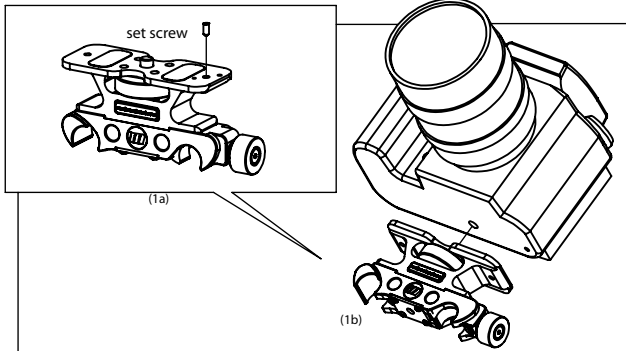
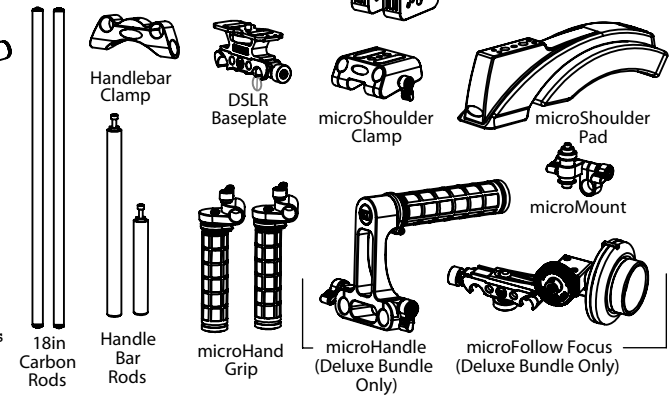
Title: DSLR 2.0 Setup Guide

Scene: DSLR Field Bundle Assembly Guide

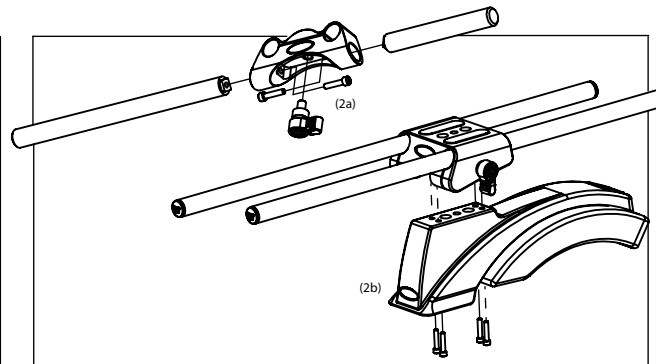
Pages: 1 of 1

Date: 12.16.09

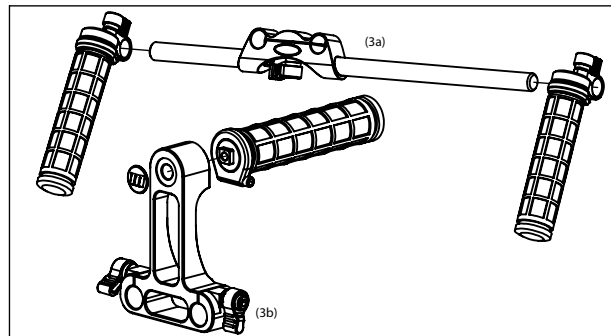
CAST REQUIRED:



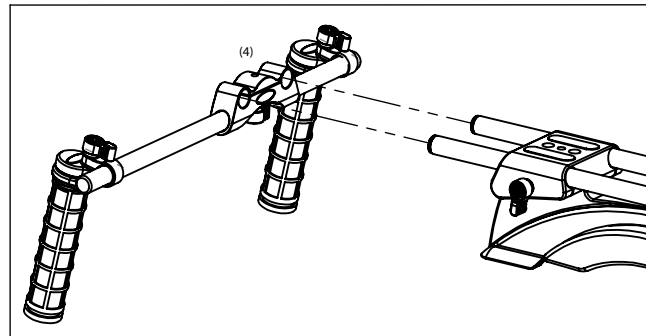
(1a) Add Camera specific set screw to DSLR Baseplate
(1b) Attach Camera to DSLR Baseplate



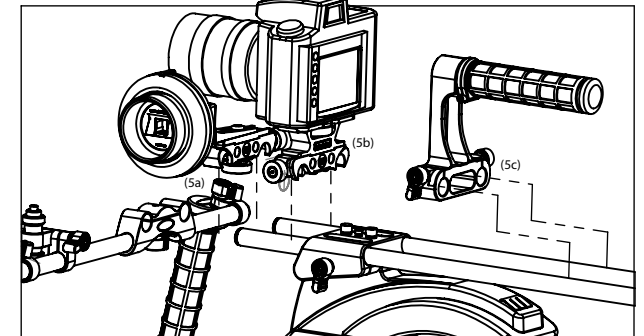
(2a) Attach 4 and 8 in rods to Rigid Mount using screws
(2b) Attach Rod Clamp to ShoulderMount using screws. Add CF Rods to Rod Clamp.



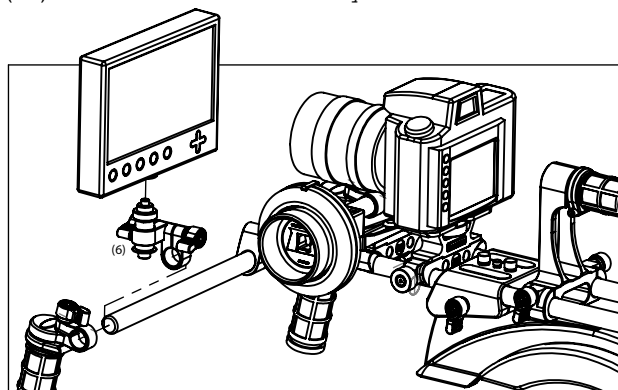
(3a) Attach Hand Grips to Handlebar Rigid Mount Assembly
(3b) Build microHandle Assembly



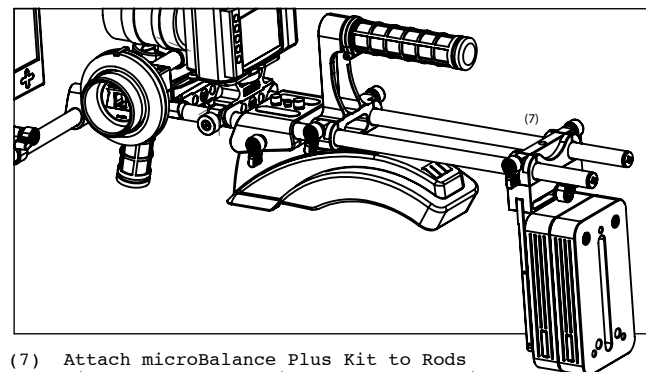
(4) Attach Handlebar Assembly to Carbon Fiber rods attached to Shouldermount assembly



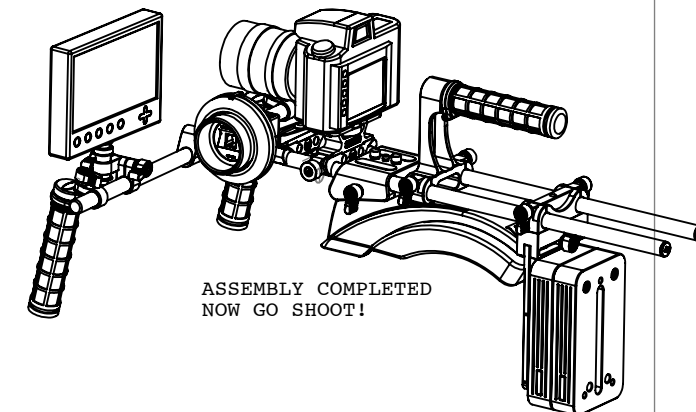
(5a) Attach microFollowFocus to CF Rods
(5b) Attach Camera / DSLR Baseplate assembly to CF Rods
(5c) Attach microHandle to CF Rods



(6) Attach microMount to rigid mount assembly
Note: Monitor not included



(7) Attach microBalance Plus Kit to Rods
*Note: microBalance Plus Kit allows for optional V-Mount Power Plate. Power Plate sold separately at store.redrockmicro.com



ASSEMBLY COMPLETED
NOW GO SHOOT!

create the cinema experience



<http://start.redrockmicro.com>

Tutorials, forums, customer support